



Project	
Schedule	Date
Notes	
Catalog Number	

LED Linear High Bay

Product Description

naturaLED® offers the perfect solution for your lighting needs with our Linear High/Low Bay. This new design allows us to optimize all the beneficial characteristics of LED light in a high-performance fixture that will endure many years of service. These Linear High Bays are extremely durable, yet lightweight, with excellent thermal design. They are available in a variety of wattages, delivering up to 39,472 lumens of consistent color and light distribution.

Chain with lock link is included for mounting. A yoke mount is an available option for surface and pendant mounting at an additional cost. This product is a hybrid crossover, which makes it an excellent fixture for new construction and/or as a replacement solution for your existing High/Low Bays needs.



Features & Benefits

- ▶ Fully potted driver for moisture resistance
- ▶ Excellent thermal design
- ▶ Minimum glare
- ▶ Select binning for consistent color
- ▶ L90 industrial grade 100,000 hours rated LED chip
- ▶ Knockout for motion sensors
- ▶ Emergency driver compatible

Specifications

- ▶ Input line voltage: 120-277 or 277-480 V
- ▶ Powerfactor >0.9
- ▶ 1-10V Dimming
- ▶ Operating temperature: -22°F ~ 122°F
- ▶ Available in 16"x22" and 16"x44" configurations
- ▶ Steel and aluminum housing
- ▶ Finish: Epoxy Powder Coat

Applications

- ▶ Warehouses
- ▶ Offices
- ▶ Factories
- ▶ Hospitals
- ▶ Hotels

Optional Accessories

- ▶ PIR Motion Sensor (Aisle & Area)
- ▶ Wireguard
- ▶ Yoke Mount
- ▶ Emergency battery backup

Included with Fixture

- ▶ Chain Hanger



*Mount may be used with existing 3/4 NPT Pendant. Rigid Pole is not included.



Ordering Information

*S = Standard DLC

Code	Description	CCT	Watt	Lumen	Equiv Wattage	Size	Beam Angle	Dim	Rated Hrs	UL Damp	DLC
7406	LED-FXHBL75/22FR/840	4000K	75	9,907	250	16"X22"	Type 5	0-10V	50,000	•	•
7407	LED-FXHBL75/22FR/850	5000K	75	10,163	250	16"X22"	Type 5	0-10V	50,000	•	•
7408	LED-FXHBL100/22FR/840	4000K	100	13,216	400	16"X22"	Type 5	0-10V	50,000	•	•
7409	LED-FXHBL100/22FR/850	5000K	100	13,852	400	16"X22"	Type 5	0-10V	50,000	•	•
7410	LED-FXHBL150/22FR/840	4000K	150	19,017	400-575	16"X22"	Type 5	0-10V	50,000	•	•
7411	LED-FXHBL150/22FR/840	5000K	150	19,476	400-575	16"X22"	Type 5	0-10V	50,000	•	•
7442	LED-FXHBL162/22FR/840	4000K	162	16,800	400-575	16"X22"	Type 5	0-10V	50,000	•	S
7443	LED-FXHBL162/22FR/850	5000K	162	16,800	400-575	16"X22"	Type 5	0-10V	50,000	•	S
7412	LED-FXHBL210/44FR/840	4000K	210	27,300	575-1000	16"X44"	Type 5	0-10V	50,000	•	•
7413	LED-FXHBL210/44FR/850	5000K	210	27,300	575-1000	16"X44"	Type 5	0-10V	50,000	•	•
7417	LED-FXHBL300/44FR/850	5000K	300	39,472	1000-1250	16"X44"	Type 5	0-10V	50,000	•	•
7488	LED-FXHBL150/22FR/850/480	5000K	150	19,476	400-575	16"X22"	Type 5	0-10V	50,000	•	•
7486	LED-FXHBL300/44FR/850/480	5000K	300	39,472	1000-1250	16"X44"	Type 5	0-10V	50,000	•	•

Accessories (available for purchase)

Yoke Mount



P10092 MT-YK-HBL22
(Yoke Mount 16"x22")

P10093 MT-YK-HBL44
(Yoke Mount 16"x44")

*Yoke mount can be used with existing 3/4 NPT rigid pole.

Wireguard



P10094 WG-HBL22/WH
Wireguard (16" x 22")

P10095 WG-HBL44/WH
Wireguard (16" x 44")

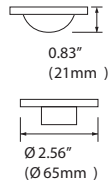
Battery



7332 BAEM8.4-60/MV-B
LED Emergency Backup Driver 120-277V

Aisle Lens

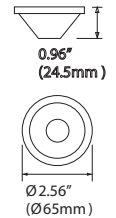
P10086	SEN-LOS-509-SFG	On-Off
P10088	SEN-LOD-500-SFG	Bi-level



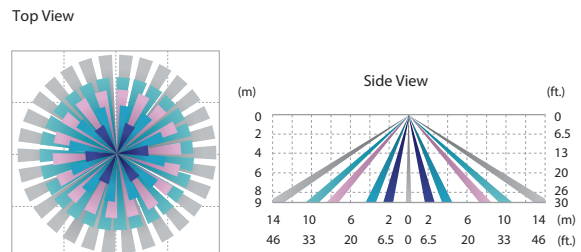
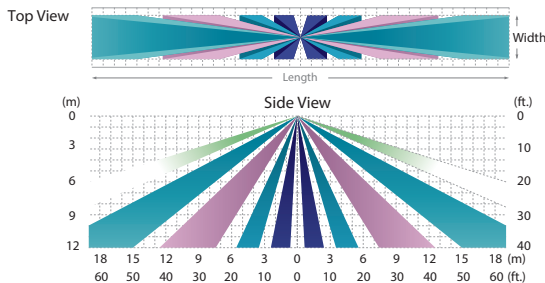
Aisle G Lens					
Mounting Height	ft. (m)	10 (3.0)	20 (6.0)	30 (9.0)	40 (12.0)
Max. Coverage Length x Width	ft. (m)	30 x 3.3 (9.0 x 1)	60 x 6.5 (18.0 x 2)	90 x 10 (27.0 x 3)	120 x 13 (36.0 x 4)

Area Lens

P10087	SEN-LOS-509-SFC	On-Off
P10089	SEN-LOD-500-SFC	Bi-level

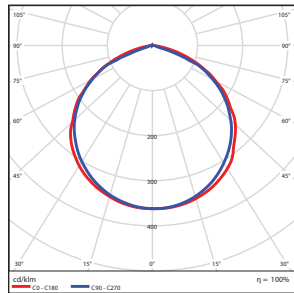


Area C Lens					
Mounting Height	ft. (m)	15 (4.5)	20 (6.0)	26 (8.0)	30 (9.0)
Max. Coverage Diameter	ft. (m)	45 (13.5)	60 (18.0)	78 (24.0)	90 (27.0)



Photometric Data

FXHBL75

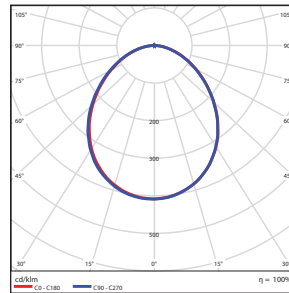


Zonal Lumen Summary

Zone	Lumens	% Luminaire
0-30	2788.45	28.40
0-40	4599.57	46.90
0-60	8171.78	83.30
60-80	1577.21	16.10
70-80	398.88	4.10
90-120	2.43	0.00
90-180	9.13	0.10
0-180	9814.3	100.00

Total Luminaire Efficiency = 100.00%

FXHBL100

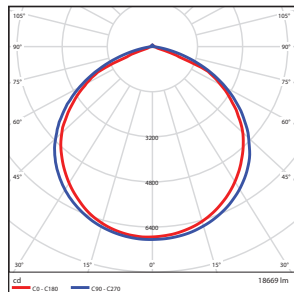


Zonal Lumen Summary

Zone	Lumens	% Luminaire
0-30	3682.46	28.60
0-40	6060.87	47.00
0-60	10730.16	83.30
60-80	1947.58	15.10
70-80	457.32	3.50
90-120	55.85	0.40
90-180	145.56	1.10
0-180	12886.9	100.00

Total Luminaire Efficiency = 100.00%

FXHBL150

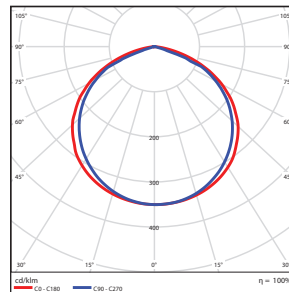


Zonal Lumen Summary

Zone	Lumens	% Luminaire
0-30	5323.2	28.50
0-40	8768.94	47.00
0-60	15541.3	83.20
60-80	2825.03	15.10
70-80	657.08	3.50
90-120	80.91	0.40
90-180	210.97	1.10
0-180	18669.14	100.00

Total Luminaire Efficiency = 100.00%

FXHBL210

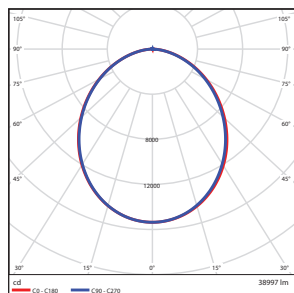


Zonal Lumen Summary

Zone	Lumens	% Luminaire
0-30	7629.62	27.70
0-40	12637.7	45.90
0-60	22721.83	82.40
0-80	27413.4	99.50
60-80	4691.56	17.00
70-80	1220.00	4.40
90-120	6.53	0.00
90-180	23.05	0.10
0-180	27561.08	100.00

Total Luminaire Efficiency = 100.00%

FXHBL300



Zonal Lumen Summary

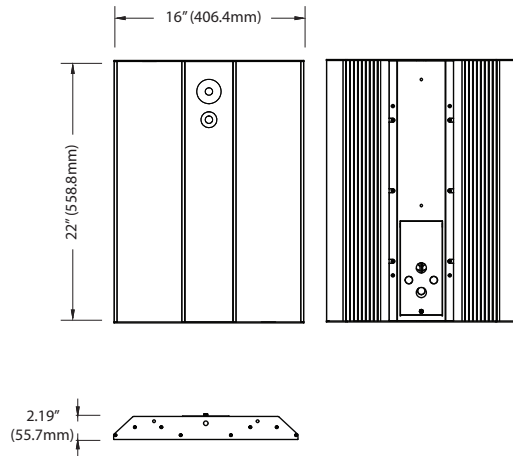
Zone	Lumens	% Luminaire
0-30	11595.09	N.A.
0-40	18623.63	N.A.
0-60	31566.7	N.A.
60-80	6741.27	N.A.
70-80	2396.45	N.A.
90-120	27.89	N.A.
90-180	72.53	N.A.
0-180	38999.23	N.A.

Total Luminaire Efficiency = 100.00%

Product Dimensions

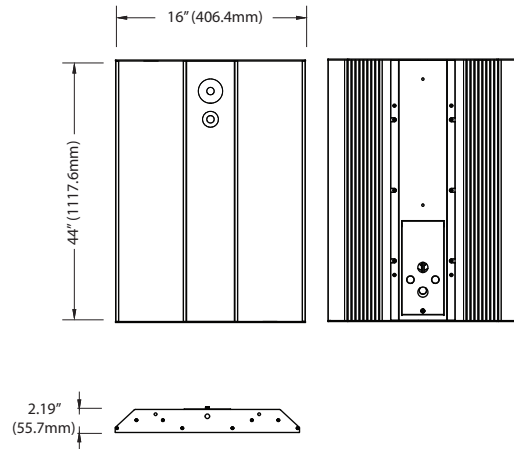
16"x22"

Weight: 6.61-lbs



16"x44"

Weight: 16.53-lbs



Package

